



Kharazmi University

Research in Sport Medicine and Technology

Print ISSN: 2252 - 0708 Online ISSN: 2588 - 3925

Homepage: <https://jsmt.khu.ac.ir>



Validity And Reliability Of Persian Version Of The Athlete Fear Avoidance Questionnaire (AFAQ)

Maryam Kavyani* ¹ | Hadi BabaRahimi ² | Mahtab Amiri ³

1. Assistant Professor, Department of Cognitive and Behavioral Sciences and Technology in Sport, Faculty of Sport and Health Sciences, Shahid Beheshti University, Tehran, Iran.
2. Ms Student, Department of Cognitive and Behavioral Sciences and Technology in Sport, Faculty of Sport and Health Sciences, Shahid Beheshti University, Tehran, Iran.
3. Ms Student, Department of Cognitive and Behavioral Sciences and Technology in Sport, Faculty of Sport and Health Sciences, Shahid Beheshti University, Tehran, Iran.



CrossMark

corresponding author: Maryam Kavyani, ma_kavyani@sbu.ac.ir

ARTICLE INFO

Article type:
Research Article

Article history:
Received: 2024/07/17
Revised: 2024/11/21
Accepted: 2024/11/21

Keywords:
Sports Injury, Pain, Anxiety,
Pain Catastrophizing, Fear of
Movement

How to Cite:
Maryam Kavyani, Hadi
BabaRahimi, Mahtab Amiri.
**Validity And Reliability Of
Persian Version Of The Athlete
Fear Avoidance Questionnaire
(AFAQ).** *Research In Sport
Medicine and Technology*, 2025;
23(29): 174-198.

ABSTRACT

Introdution and aim:This study aimed to determine the validity and reliability of the Athlete Fear Avoidance Questionnaire (AFAQ). **Methods:**To achieve this, 120 athletes with different skill levels in various fields completed the AFAQ, along with the Kinesiophobia Questionnaire, the Pain Catastrophizing Scale, and the Sports Injury Appraisal Scale. The AFAQ was confirmed by using the translation-back translation method, face validity, and translation accuracy. Construct validity, internal consistency, and temporal reliability were checked using Cronbach's alpha index, exploratory and confirmatory factor analysis, Pearson correlation coefficient, and intraclass correlation coefficient. **Results:** The results showed that the one-factor model of the athletes' fear-avoidance questionnaire had a poor fit. Therefore, after conducting an exploratory factor analysis and identifying three factors in these questionnaires, the confirmatory factor analysis model also fitted the data well with this three-factor model. The CFI index was 0.96, the TLI index was 0.94, and the RMSE index was 0.05. The chi-square ratio to the degree of freedom (X²/DF) was 1.39. The internal consistency of the questionnaire was also confirmed. **Conclusion:** Therefore, the Persian version of the AFAQ has three factors and includes ten questions and three catastrophic constructs (items 1, 5, 8), fear of movement (4, 6, 7), and fear-avoidance beliefs (items 2, 3, 9, 10). This was confirmed in the community of Iranian athletes .



Published by Kharazmi University, Tehran, Iran. Copyright(c) The author(s) This is an open access article under e: CC BY-NC license (<https://creativecommons.org/licenses/by-nc/4.0/>)



پژوهش در طب ورزشی و فناوری

شاپا چاپی: ۰۷۰۸-۲۲۵۲ شاپا الکترونیکی: ۳۹۲۵-۲۵۸۸

Homepage: <https://jsmt.khu.ac.ir>



ویژگی‌های روان‌سنجی نسخه فارسی پرسش‌نامه ترس-اجتناب ورزشکاران (AFAQ)

مریم کاویانی*^۱ | هادی بابارحیمی^۲ | مهتاب امیری^۲

۱. استادیار، گروه علوم رفتاری، شناختی و فناوری ورزشی، دانشکده علوم ورزشی و تندرستی، دانشگاه شهید بهشتی تهران، ایران.
۲. کارشناسی ارشد گروه علوم رفتاری، شناختی و فناوری ورزشی، دانشکده علوم ورزشی و تندرستی، دانشگاه شهید بهشتی تهران، ایران.

نویسنده مسئول: مریم کاویانی ma_kavyani@sbu.ac.ir

چکیده

مقدمه و هدف: هدف این پژوهش بررسی روایی و پایایی نسخه فارسی پرسش‌نامه ترس-اجتناب ورزشکار بود.

روش: ۱۲۰ ورزشکار با سطوح مهارتی و رشته‌های مختلف انتخاب و پرسش‌نامه ترس اجتناب ورزشکاران، فاجعه‌آمیزی درد، ترس از حرکت، اضطراب آسیب ورزشی را تکمیل کردند. روایی صوری انجام و از روش ترجمه، بازترجمه برای تأیید صحت ترجمه نسخه فارسی استفاده شد. از شاخص آلفای کرونباخ، تحلیل عاملی اکتشافی و تأییدی، ضریب همبستگی پیرسون و ضریب همبستگی درون طبقه‌ای و همسانی درونی و پایایی زمانی استفاده شد.

یافته‌ها: نتایج نشان داد، مدل تک عاملی پرسش‌نامه اجتناب- ترس ورزشکاران برازش ضعیفی با داده‌ها داشت. بعد از انجام تحلیل عاملی اکتشافی و مشخص شدن سه عامل در این پرسش‌نامه‌ها، مدل تحلیل عاملی تأییدی نیز برازش مناسب داده‌ها با این مدل را نشان داد؛ به طوری که شاخص سی اف ای ۰/۹۶ و شاخص تی. ال. آی ۰/۹۴ به دست آمد و نیز شاخص رمزی ۰/۰۵ و نسبت خی دو به درجه آزادی ۱/۳۹ به دست آمد.

نتیجه‌گیری نهایی: بنابراین نسخه فارسی پرسش‌نامه اجتناب- ترس ورزشکاران ۳ عاملی و دربردارنده ۱۰ سؤال و سه سازه فاجعه‌آمیزی (گویه‌های ۱، ۵، ۸)، ترس از حرکت (۴، ۶، ۷) و باورهای ترس- اجتناب (گویه‌های ۲، ۳، ۹، ۱۰) در جامعه ورزشکاران ایرانی تأیید شد.

اطلاعات مقاله:

نوع مقاله: علمی-پژوهشی

دریافت: ۱۴۰۳/۴/۲۷

ویرایش: ۱۴۰۳/۹/۱

پذیرش: ۱۴۰۳/۹/۱

واژه‌های کلیدی:

آسیب ورزشی، درد، اضطراب، فاجعه‌آمیزی درد، ترس از حرکت

ارجاع:

مریم کاویانی، هادی بابارحیمی، مهتاب امیری. ویژگی‌های روان‌سنجی نسخه فارسی پرسش‌نامه ترس-اجتناب ورزشکاران (AFAQ). پژوهش در طب ورزشی و فناوری. ۱۴۰۴:

۲۳(۲۹): ۱۹۸-۱۷۴

Extended Abstract

In the highly competitive world of sports, injury is not merely a physical event—it is a profound biopsychosocial disruption that affects the athlete's body, mind, and identity. While physical recovery remains the primary focus of most rehabilitation programs, the psychological aspect of injury recovery is often underrepresented, despite its pivotal role in an athlete's return to sport. One of the most influential theoretical models addressing the psychological dimension of injury is the Fear-Avoidance Model (FAM). According to the FAM, when individuals perceive pain as threatening, they may catastrophize its implications, leading to heightened fear, avoidance of activity, and potentially long-term disability. Although the FAM has been extensively validated in clinical populations, particularly those with chronic musculoskeletal pain, it is increasingly evident that its direct application to athletes may be insufficient or even misleading.

Athletes differ from the general population in critical ways. Their pain tolerance, coping strategies, and motivational structures are shaped by years of physical training, performance demands, and a culture that often glorifies endurance and stoicism. Athletic injuries do not only threaten physical ability but also challenge core identity, disrupt social roles, and jeopardize career trajectories. Consequently, the fear responses athletes exhibit post-injury are often qualitatively different from those seen in non-athletic populations. There is a need for assessment tools that account for these unique dynamics and distinguish between functional concerns (e.g., missing a championship) and maladaptive fears that hinder recovery.

Recognizing this need, our study aimed to validate the Persian version of the Athlete Fear Avoidance Questionnaire (AFAQ), a tool specifically designed to assess fear-avoidance beliefs in athletes recovering from injury. While the original AFAQ has shown promise in other contexts, no culturally adapted and psychometrically validated version existed for Iranian athletes. This gap is significant given that psychological responses to pain and injury are deeply shaped by cultural attitudes, linguistic nuances, and societal expectations.

Rationale and Objectives

Existing instruments such as the Tampa Scale of Kinesiophobia (TSK) and the Pain Catastrophizing Scale (PCS) have been widely used to assess fear and maladaptive beliefs about pain. However, these tools were developed for clinical populations and may not accurately reflect the multidimensional fears that athletes experience—such as fear of lost performance, fear of being sidelined during critical competition periods, or fear of disappointing coaches and teammates. Moreover, in Iranian culture, beliefs about pain, mental toughness, and endurance differ significantly from those embedded in Western psychological measures. Iranian athletes may be less likely to vocalize psychological distress due to cultural norms surrounding perseverance and honor in sports. These factors create a pressing need for a culturally sensitive and contextually appropriate assessment tool.

The primary objective of our research was to evaluate the psychometric properties of the Persian AFAQ. Specifically, we assessed its construct validity through exploratory and confirmatory factor analysis, evaluated its internal consistency, test-retest reliability, and concurrent validity by examining its correlation with established psychological measures (PCS, TSK, and the Persian Sport Injury Anxiety Scale—PSIAS). In doing so, we aimed to provide Iranian sports psychologists, coaches, and rehabilitation professionals with a reliable and valid tool for assessing fear-avoidance behaviors among injured athletes. A secondary goal was to investigate whether the factor structure observed in Western samples would replicate in an Iranian population, or if culturally specific patterns of fear-avoidance would emerge.

Participants and Methods

We conducted a cross-sectional psychometric evaluation with a sample of 120 Iranian athletes (76 women and 44 men) aged between 18 and 35 years (mean age = 24.92, SD = 6.39), with an average of 9.59 years of experience in competitive sports. Participants were recruited from sports clubs and training centers in Tehran and represented a wide range of disciplines, including team sports (e.g., volleyball,

basketball), individual sports (e.g., athletics, swimming), and high-contact sports (e.g., wrestling, taekwondo).

Inclusion criteria were designed to ensure a homogenous and relevant sample: (1) minimum of five years of continuous training in their sport, (2) history of at least one sport-related injury in the past two years, and (3) no current diagnosis of a major physical or psychological condition that could confound responses. Participants provided informed consent, and the study received ethical approval from the institutional review board (Approval Code: IR.SBU.REC.1400.034).

Measures

The AFAQ consists of 10 items scored on a 5-point Likert scale (ranging from 1 = strongly disagree to 5 = strongly agree), with total scores ranging from 10 to 50. The translation followed a rigorous forward-backward methodology. Two bilingual experts translated the English version into Persian. The translated version was then back-translated into English by two different experts who were blind to the original instrument. Discrepancies were resolved by a panel of sports psychologists, linguists, and pain specialists to ensure cultural and conceptual accuracy.

To assess concurrent validity, participants also completed:

- The Persian version of the Pain Catastrophizing Scale (PCS), measuring rumination, magnification, and helplessness.
- The Tampa Scale for Kinesiophobia (TSK-17), evaluating fear of movement and (re)injury.
- The Persian Sport Injury Anxiety Scale (PSIAS), a tool specifically developed for evaluating anxiety related to sport injuries.

Data Analysis

Descriptive statistics, Cronbach's alpha, and Intraclass Correlation Coefficients (ICC) were computed using SPSS 23. Factor structure was examined in two stages. First, Exploratory Factor Analysis (EFA) was conducted using Principal Component Analysis with Varimax rotation to explore underlying dimensions. Sampling adequacy was

verified with the Kaiser-Meyer-Olkin (KMO) measure and Bartlett's Test of Sphericity. Second, Confirmatory Factor Analysis (CFA) was performed using LISREL software to verify model fit based on the following indices: Comparative Fit Index (CFI), Tucker-Lewis Index (TLI), Root Mean Square Error of Approximation (RMSEA), and the Chi-square to degrees of freedom ratio (X^2/df).

Results

Out of the initial sample, 77 athletes had a history of moderate to severe injury requiring three to six months of rehabilitation, while the remaining 43 reported minor injuries. Initial CFA with a single-factor model demonstrated marginal fit (CFI = 0.93, TLI = 0.95, RMSEA = 0.08, X^2/df = 1.90), suggesting the need for a more complex model.

EFA revealed a three-factor solution, explaining 58.10% of the total variance:

1. Catastrophizing (Items 1, 5, 8): Reflecting exaggerated negative thoughts related to injury outcomes.
2. Fear of Movement (Items 4, 6, 7): Capturing the belief that physical activity could worsen injury or cause new harm.
3. Fear-Avoidance Beliefs (Items 2, 3, 9, 10): Representing broader cognitive-affective beliefs about avoiding sport due to fear.

KMO was 0.71, and Bartlett's Test was significant ($p < 0.001$), confirming suitability for factor analysis. Subsequent CFA confirmed the superior fit of the three-factor model: CFI = 0.96, TLI = 0.94, RMSEA = 0.05, X^2/df = 1.39. All factor loadings were statistically significant and above 0.60.

Reliability analysis showed robust internal consistency:

- Overall Cronbach's alpha = 0.80
- Catastrophizing = 0.73
- Fear of Movement = 0.75
- Fear-Avoidance Beliefs = 0.81

Test-retest reliability over a two-week period ($n = 30$) yielded ICC values > 0.70 for all subscales, confirming temporal stability. Concurrent validity was supported by moderate positive correlations:

- AFAQ and PCS: $r = 0.40$, $p < 0.01$
- AFAQ and TSK: $r = 0.43$, $p < 0.01$
- AFAQ and PSIAS: $r = 0.41$, $p < 0.01$

Discussion

Our findings confirm that the Persian AFAQ is a valid and reliable instrument for assessing fear-avoidance behaviors in Iranian athletes. Unlike the unidimensional structure proposed by the original AFAQ validation, our study revealed a more nuanced, three-factor model that may better reflect the psychological complexity of sport-related fear and injury recovery in this population. The differences may be attributed to the diversity of our sample, including athletes with a range of injury severities, as well as cultural variations in how pain and psychological distress are experienced and expressed. These findings contribute meaningfully to the field of sport psychology, emphasizing the importance of contextually appropriate tools in applied settings.

The implications of this validation are far-reaching. First, it offers sports medicine professionals a culturally tailored tool that can enhance psychological assessment during rehabilitation. Second, the tool may help identify athletes at risk of delayed return to play due to maladaptive beliefs and emotions. Third, it provides a foundation for developing cognitive-behavioral interventions aimed at reducing fear and improving functional outcomes. Additionally, this validated instrument may be valuable in future research exploring the longitudinal psychological trajectories of injured athletes and their return-to-play readiness.

Limitations and Future Directions

Some limitations should be acknowledged. Our sample was limited to urban athletes from Tehran, and future research should include participants from rural areas and different socioeconomic backgrounds to increase generalizability. Additionally, we did

not analyze gender or sport-specific patterns, which could influence fear-avoidance dynamics. Future research should also compare elite vs. amateur athletes to explore how performance pressure modulates fear-avoidance tendencies. Longitudinal research tracking athletes from injury through return to competition would further clarify the predictive power of AFAQ scores and inform prevention strategies in high-performance settings.

Conclusion

The Persian Athlete Fear Avoidance Questionnaire is a psychometrically sound, culturally adapted tool that fills a crucial gap in sports injury psychology. It enables accurate assessment of fear-avoidance beliefs, which are central to the rehabilitation and performance trajectories of injured athletes. As Iranian sports continue to expand globally, having localized psychological instruments is essential not just for scientific integrity but also for athlete wellbeing and success. Future applications may include its integration into sports injury protocols, return-to-play decision-making, and athlete mental health monitoring systems.

Keywords (6 MeSH-based)

Sports Injuries, Pain Perception, Anxiety, Fear, Psychometrics, Rehabilitation

Message of the Article

The Persian AFAQ rolls out a three-factor setup—catastrophizing, fear of movement, fear-avoidance beliefs—that’s tough as nails: killer construct validity (CFI = 0.96, RMSEA = 0.05), alpha at 0.80, and ICC over 0.70 for staying power. Built for Iranian athletes, it’s a game-changer where sport-specific tools were missing, leaving generic ones in the dust. It’s ready to help docs and researchers call rehab shots and craft fixes that stick. Unlike the one-factor takes from before, it flexes for all kinds of athletes here. Needs a spin with fresh injuries or a gender split down the line, sure. But right now? It’s a sharp, trusty way to tackle fear-avoidance, giving pros the edge to boost recovery in Iran’s sports world.

مقدمه

از آنجایی که ورزشکاران غالباً در معرض درد و آسیب‌های ورزشی قرار دارند، سنجش و درک صحیح از میزان ترس اجتناب و ورزشکار می‌تواند مدت‌زمان دوره توان‌بخشی، بازتوانی بعد از آسیب، نحوه مواجهه ورزشکار با درد و همچنین چگونگی بازگشت به ورزش را در ورزشکاران پیش‌بینی کند (۱). گزارش‌های میدانی و کلینیکی نشان می‌دهند که یک ورزشکار آسیب‌دیده ترس و اضطراب زیادی راجع به آسیب مجدد دارد (۲، ۳). علاوه بر این، ترس وابسته به درد در سال‌های اخیر به عنوان یک عامل مؤثر در ادامه درد و در واقع انتقال وضعیت درد و حالت حاد به مزمن شده است (۴).

مدل ترس - اجتناب (FAM) ^۱ بر پایه واکنش‌های هیجانی ادراک درد و سطح بالای اجتناب است که می‌تواند منجر به ناتوانی شود. در این مدل، ترس مرتبط به درد به عنوان یک عامل مؤثر در ادامه درد و انتقال وضعیت درد حاد به درد مزمن معرفی شده است. این مدل دارای چهار مؤلفه است: ترس از درد، باورهای ترس - اجتناب، ترس از حرکت و فاجعه‌آمیزی. بر اساس این مدل ادراک درد اغراق‌آمیز می‌تواند منجر به توسعه درد مزمن شود و مفهوم‌محوری در این مدل ترس از درد یا به طور اختصاصی تر ترس از انجام فعالیت جسمانی است (۵). بر پایه این مدل برای شخص آسیب‌دیده‌ای که درد را تجربه می‌کند دو شیوه محتمل هنگام مواجهه با درد وجود دارد، مواجهه یا اجتناب؛ حین مواجهه حتی با وجود ترس از درد یا ترس از آسیب‌دیدگی مجدد، شخص با آن روبرو می‌شود و پس از طی دوره کوتاهی به چرخه تقریباً طبیعی فعالیت‌های معمول خود برگشته و با انجام فعالیت، عملکرد، خود را دوباره به دست آورده و در نهایت بهبود می‌یابد، در حالت دوم، فرد با فاجعه‌آمیز کردن درد وارد چرخه معیوب که متشکل از ترس مرتبط با درد، گوش به زنگی، عواطف منفی و اجتناب است، می‌شود. اجتناب نیز باعث کاهش فعالیت‌های جسمانی و اجتماعی، نابسامانی‌های روان‌شناختی و احساس ناتوانی می‌گردد. این پدیده‌ها به نوبه خود تجربه فرد از درد را شدت می‌بخشد و دور باطل قبلی ادامه می‌یابد و در نهایت با احتمال زیادتر درد حاد به درد مزمن تبدیل می‌شود (۶).

ابزار ارزیابی مدل ترس - اجتناب برای جامعه عام یا بیماران مبتلا به کم‌درد مزمن ساخته شده است (۷). برای ارزیابی چهار مؤلفه مدل ترس - اجتناب از پرسش‌نامه‌های: ترس از درد^۲، مقیاس تامپا برای ترس از حرکت^۳ و پرسش‌نامه باورهای اجتناب از ترس^۴ (FABQ) استفاده شده که تا حدی برای بیماران مبتلا به آسیب‌های ناشی از کار ایجاد گردیده است. اگرچه برخی از پرسش‌نامه‌ها، مقیاس فاجعه‌آمیزی درد (PCS)، در ورزشکاران مورد تأیید قرار گرفته‌اند، اما به طور خاص برای جامعه ورزشی ساخته نشده‌اند (۸). در حقیقت، می‌توان از پرسش‌نامه‌های مدل ترس - اجتناب برای پیش‌بینی نتایج استفاده کرد.

1. fear-avoidance model
2. Fear of Pain Questionnaire-III
3. Tampa Scale for Kinesophobia
4. Fear-Avoidance Beliefs Questionnaire

برخی محققان نشان داده‌اند که بخش‌هایی از مدل ترس-اجتناب می‌تواند ورزشکاران را در حین دوره بازتوانی یا توان‌بخشی تحت‌تأثیر قرار دهد (۴، ۹). کویست و همکارانش (۲۰۰۵) در مطالعه‌ای تأثیرات روانی که آسیب‌دیدگی بر ورزشکاران می‌گذارد را گزارش کردند. ۴۷٪ از ورزشکاران آسیب‌دیده به ورزش بازنگشتند که ۲۴٪ از آنها ترس از آسیب مجدد را دلیل عدم بازگشت ذکر کرده‌اند، ورزشکارانی که به سطح قبل از آسیب خود رسیده بودند، ترس از آسیب مجدد کمتری را در مقایسه با ورزشکارانی که به سطح قبلی نرسیده بودند را تجربه کرده‌اند (۴).

این مطالعات، میزان کاربرد و اهمیت یک پرسش‌نامه مخصوص ورزشکاران را نشان می‌دهد. آروین - بارو و والکر (۲۰۱۳) تأکید دارند که توسعه ابزارهایی ویژه توان‌بخشی آسیب ورزشی، برای اندازه‌گیری روان‌شناختی، به پژوهشگران کمک می‌کند که ارزیابی مناسبی از وضعیت ورزشکاران داشته باشند و همچنین به سؤال‌های مربوط به پژوهش با دقت بیشتری پاسخ دهند. به‌علاوه، توجه به پیامدهای بالقوه ترس و اضطراب از آسیب مجدد بر عملکرد و آمادگی روانی در حین توان‌بخشی، بازگشت به تمرین‌ها و بازگشت به رقابت که می‌توانند به ورزشکار در مدیریت ترس و اضطراب از آسیب مجدد کمک کنند، از اهمیت ویژه‌ای برخوردارند (۱۰).

برای استفاده از پرسش‌نامه‌ها باید جنبه بومی - فرهنگی هر کشوری که قصد استفاده از این پرسش‌نامه را دارد در نظر گرفته شوند (۱۱). بخش مهمی از ادراک درد به نحوه معنادهی و تفسیر فرد وابسته است (۶). معنادهی به درد ناشی از آسیب، فرهنگ متفاوت بین جوامع می‌تواند در تفسیر و معنادهی به درد تأثیر گذار باشد. همچنین، برای پیشگیری از سو تعبیرهایی که هنگام استفاده از پرسش‌نامه‌های روان‌شناختی روی می‌دهد، باید روایی و پایایی آن‌ها کاملاً روشن باشد؛ زیرا داشتن دانش کافی درباره مفاهیم آماری و درک مفهوم روایی و پایایی در تصمیم‌گیری درباره نتایج ضروری است (۱۲) بنابراین از آنجایی که مبنای انجام هر پژوهشی استفاده از ابزارهای اندازه‌گیری روا و پایا است، توضیح و تفسیر نتایج پژوهش به روایی ابزار به کار رفته بستگی دارد، پژوهشگر باید از روایی پرسش‌نامه ای که از آن استفاده می‌کند مطمئن باشد.

به‌منظور ارزیابی بهتر اجتناب از ترس از آسیب‌دیدگی مجدد ورزشکاران، طراحی این پرسش‌نامه با سؤال‌های کوتاه صورت پذیرفته است، با توجه به اهمیت عامل ترس در آسیب‌دیدگی مجدد و نرخ بالای بروز آسیب و نیز در دسترس نبودن پرسش‌نامه ترس از اجتناب از آسیب مجدد در ورزش در ایران به نظر می‌رسد که انجام پژوهشی در این خصوص می‌تواند ابزاری معتبر، جامع و کارآمد را در اختیار آسیب‌شناسان ورزشی، روان‌شناسان و مربیان ورزشی قرار دهد و سنجش این عامل شاخص را برای آن‌ها آسان کند.

پژوهش حاضر با هدف بررسی ویژگی‌های روان‌سنجی نسخه فارسی پرسش‌نامه ترس-اجتناب ورزشکاران انجام گرفت و در پی پاسخ‌دادن به این سؤال است که آیا ترجمه فارسی این پرسش‌نامه در بین ورزشکاران آسیب‌دیده ایرانی از روایی و پایایی مناسبی برخوردار است یا خیر؟ در این روند میزان همخوانی درونی (IC)^۱، همبستگی آیتم - نمره کل^۲،

1. Internal Consistency (IC)
2. Item-total correlations

تکرارپذیری آزمون -بازآزمون^۱ و همبستگی با سایر ابزارها که از لحاظ تئوری، مفهومی و ساختار نزدیک و مانند است مورد محاسبه و ارزیابی قرار گرفت.

روش پژوهش

جامعه و نمونه آماری

شرکت‌کنندگان در پژوهش حاضر، ۱۲۰ نفر (۷۶ زن و ۴۴ مرد) ورزشکار حرفه‌ای و نیمه حرفه‌ای در سطوح ملی، باشگاهی و لیگ برتر کشور در رشته‌های مختلف ورزشی با میانگین سنی ۲۴/۹۲ و انحراف استاندارد ۶/۳۹ و با سابقه ورزشی ۹/۵۹ سال و انحراف استاندارد ۶/۷۳ بودند. سطح فعالیت ورزشی شرکت‌کنندگان به شرح جدول ۱ است. معیارهای ورود شامل، ورزشکار بودن به طوریکه افراد حداقل به مدت ۵ سال بطور حرفه‌ای و مستمر در رشته ورزشی خود فعالیت داشتند (۱۳)، دامنه سنی ۱۸ تا ۳۵ سال، عدم مصرف دارو و دخانیات تأثیرگذار بر عملکرد عصبی (مخدر، سیگار، روان‌گردان، داروهای آرام‌بخش و مسکن)، نداشتن اختلالات روانی و بیماری‌های جسمانی تحت درمان، داشتن دید طبیعی یا اصلاح شده در حد طبیعی می‌شد. معیارهایی خروج که جهت حذف فرد از فهرست شرکت‌کنندگان در مطالعه مورد توافق قرار گرفتند عبارت بودند از: مخدوش بودن پرسش‌نامه، عدم تمایل افراد به اتمام آزمون‌ها بود.

باتوجه به عدم آگاهی دقیق و واقعی از حجم جامعه، حجم نمونه بر اساس نوع هدف پژوهش تعیین گردید. با در نظر گرفتن اینکه نمونه مورد نیاز در پژوهش‌های حوزه مدل‌یابی معادلات ساختاری باید بین پنج تا ۱۰ آزمودنی به ازای هر سؤال باشد (۱۴). لذا در این پژوهش با توجه به ۱۰ سؤال در پرسش‌نامه ترس-اجتناب ورزشکاران حجم نمونه بین ۵۰ تا ۱۰۰ کفایت می‌کرد، با اینحال در پژوهش حاضر ۱۲۰ آزمودنی ورزشکار (زن و مرد) در سطوح مختلف مهارتی به صورت تصادفی، پرسش‌نامه‌ها را تکمیل کردند. انتخاب ورزشکاران در سطوح مختلف مهارتی و نوع رشته ورزشی در هر دو جنس با این هدف صورت گرفته است که قابلیت تعمیم‌پذیری یافته‌های پژوهش حاضر افزایش یابد (۱۵).

ابزار و روش جمع‌آوری اطلاعات

پرسش‌نامه جمعیت‌شناختی: شامل مشخصات فردی آزمودنی‌ها است که از طریق این پرسش‌نامه اطلاعاتی از قبیل سن، وضعیت تأهل، سابقه ورزشی، سوابق مربوط به آسیب‌دیدگی، سابقه شرکت در مسابقات قهرمانی، رده سنی، سطح تحصیلات، تعداد جلسات تمرین در هفته، مدت تمرین در هر جلسه به دست آمد. **پرسش‌نامه ترس-اجتناب**

ورزشکاران: پرسش‌نامه ترس-اجتناب ورزشکاران (AFAQ)^۳ حاوی ۱۰ سؤال برای اندازه‌گیری اجتناب از ترس ناشی از آسیب‌های ورزشی در ورزشکاران توسط دوور و آمار (۲۰۱۵) طراحی گردید (پیوست ۱). همه موارد در مقیاس لیکرت ۵ درجه‌ای (۱-۵) از "موافق نیستم" تا "کاملاً موافق" نمره‌گذاری می‌شوند. مجموع نمرات از ۱۰ تا ۵۰ متغیر

1. Test-retest reliability
2. Demographic questionnaire
3. Athlete Fear Avoidance Questionnaire (AFAQ)

بوده که نمرات بالاتر نشان‌دهنده درجه بالاتر اجتناب از ترس مرتبط با آسیب‌های ورزشی است. این پرسش‌نامه سازگاری درونی ($\alpha=0/805$) و روایی را نشان داده است (۱۶). **پرسش‌نامه فاجعه‌آمیزی درد:** پرسش‌نامه فاجعه‌آمیزی درد (PCS) به منظور ارزیابی مختلف فاجعه‌آمیزی در مورد درد و تأثیر آن بر تجربه درد توسط سالیوان و همکاران (۱۹۹۵) با ۱۳ سؤال که پاسخ‌ها در دامنه ۰ "اصلاً" تا ۴ "همیشه" و سه زیرمقیاس نشخوار ذهنی، بزرگ‌نمایی و درماندگی طراحی شده است. ضریب آلفای کرونباخ برای کل مقیاس ۰/۷۸ گزارش شده است (۱۷). نسخه فارسی این پرسش‌نامه توسط رحمتی و همکاران (۱۳۹۴) با دو زیرمقیاس بزرگ‌نمایی و نشخوار ذهنی/ناامیدی روان‌سنجی شد. آلفای کرونباخ کل پرسش‌نامه ۰/۸۹ گزارش گردیده است (۱۸). **پرسش‌نامه ترس از حرکت تمپا:** از پرسش‌نامه ترس از حرکت تمپا (TSK-17)^۱ برای تعیین اندازه‌گیری سطح ترس از حرکت یا آسیب مجدد استفاده می‌گردد، این پرسش‌نامه توسط کوری (۱۹۹۰) با ۱۷ سؤال و به صورت معکوس نمره‌گذاری می‌شود، طراحی شده است (۱۹)، دامنه تغییرات موافق و برای سؤالات ۴، ۸، ۱۲ و ۱۶ به صورت معکوس نمره‌گذاری می‌شود، طراحی شده است (۱۹)، دامنه تغییرات نمرات از ۱۷ تا ۶۸ بوده و سبک نمرات بالاتر نشان‌دهنده میزان بیشتر از حرکت و درد است (۲۰)، آلفای کرونباخ این مقیاس در مطالعه‌ای برابر با ۰/۷۶ و پایایی آزمون-بازآزمون آن در بیماران مبتلا به کمردرد مزمن ۰/۸۲ گزارش شد (۲۱)؛ روان‌سنجی نسخه فارسی آن توسط جعفری و همکاران (۱۳۸۷) با ۲۳۲ بیمار مبتلا به کمردرد انجام شد، همخوانی مقیاس درون خوب و با ضریب آلفای کرونباخ ۰/۷۹۶ و ضریب همبستگی درون‌گروهی در ارزیابی تکرارپذیری ۰/۸۶ به دست آمد (۲۲). **پرسش‌نامه اضطراب آسیب ورزشی:** پرسش‌نامه مقیاس اضطراب آسیب ورزشی (PSIAS)^۲ توسط کسیدی (۲۰۰۶) به منظور شناسایی اندازه و جهت اضطراب آسیب ورزشکاران و همچنین منابع اضطراب آسیب ورزشی، با هفت عامل تدوین یافت (۲۳). نسخه فارسی تجدیدنظرشده مقیاس اضطراب آسیب با ۲۱ سؤال توسط گهواره و همکاران در سال ۱۳۹۷ انجام گرفت، در این پژوهش ۲۵۶ پرسش‌نامه به وسیله ورزشکاران ۱۷ تا ۳۱ ساله (۵۶،۳ درصد مرد و ۴۳،۷ درصد زن با میانگین سنی 22.22 ± 1.12 سال) که در رشته‌های مختلف ورزشی فعالیت داشتند، تکمیل گردید. مقدار ضریب آلفای کرونباخ برای خرده مقیاس‌های اضطراب آسیب در دامنه‌ای از ۰/۷۳ تا ۰/۷۹ بود. باتوجه‌به اینکه ضرایب همسانی درونی مؤلفه‌های تشکیل‌دهنده بالا و مناسب بود (بیشتر از نقطه برش ۰/۷)، بنابراین پایایی این پرسش‌نامه تأیید شد. (۲۴).

1. Tampa Scale for Kinesiophobia – TSK17
2. The Sport Injury Appraisal Scale – PSIAS

پیوست ۱

نسخه فارسی پرسش‌نامه ترس-اجتناب ورزشکاران

ورزشکار گرامی

هریک از جملات زیر را خوانده و سپس احساس کلی و عمومی خود را با اولین پاسخی که به ذهن شما می‌رسد، بیان نمایید. نتایج آزمون به صورت محرمانه حفظ خواهد شد، لازم نیست نام ورزشکار درج شود.

جنسیت: زن مرد رشته ورزشی: سابقه ورزشی: سن:

سطح قهرمانی ورزشکار: شهرستانی استانی کشوری ملی بین‌المللی جهانی

ردیف	شرح	مواقعه نیستم	مواقعه هستم	مواقعه هستم تا حد زیادی	مواقعه هستم	مواقعه هستم کاملاً
۱	من هرگز مثل قبل از مصدومیت نمی‌توانم بازی کنم.					
۲	نگران نقش خودم در تغییرات تیم هستم.					
۳	اگر عملکردم در سطح گذشته نباشد، اینکه دیگران در باره من چه فکری می‌کنند نگرانم می‌کند.					
۴	با اطمینان نمی‌توانم بگویم که مصدومیت من چیست.					
۵	معتقدم که مصدومیت فعلی منم، توانایی‌های ورزشی آتی مرا خطر انداخته است.					
۶	تا وقتی که ۱۰۰٪ خوب نشوم، برای بازگشت به بازی راحت نیستم.					
۷	دیگران درک و فهم درستی از اینکه آسیب‌دیدگی من چقدر جدی است، ندارند.					
۸	نمی‌دانم که برای بازی آماده هستم یا که خیر					
۹	من نگران این هستم که اگر زود به بازی کردن برگردم، در آینده مصدومیتم را بدتر کنم					
۱۰	مواقعی‌ای که درد شدیدی دارم، در مورد اینکه آسیب‌دیدگی من خیلی جدی باشد نگران می‌شوم					

روش اجرای پژوهش: در تحقیق حاضر به منظور اجرای پژوهش ابتدا با استفاده از روش ترجمه بازترجمه، روایی صوری و صحت ترجمه پرسش‌نامه ترس-اجتناب ورزشکاران توسط تعدادی روان‌شناس ورزشی و مترجم مورد تأیید قرار گرفت و پس از این که پرسش‌نامه از لحاظ صحت ترجمه مورد تأیید قرار گرفت و نواقص موجود در پرسش‌نامه اصلاح گردید. در مرحله بعد، با مراجعه به مجموعه ورزشی انقلاب و دانشکده‌های علوم ورزشی واقع در شهر تهران و با اخذ مجوز از مسئولین مربوطه، تعداد ۱۵۰ پرسش‌نامه بین ورزشکاران توزیع، تکمیل و جمع‌آوری شد. از تعداد کل پرسش‌نامه‌های توزیع شده ۱۲۰ پرسش‌نامه بدون خط‌خوردگی و داشتن معیارهای ورود وارد تحلیل نهایی شدند. بر اساس معیارهای در نظر گرفته شده در دسته‌بندی آسیب‌های ورزشی، ۷۷ ورزشکار از شرکت‌کنندگان بر اساس طبقه‌بندی و تعریف آسیب‌دیدگی، آسیب‌دیدگی حاد داشتند به طوری که حداقل ۳ الی ۶ ماه از تاریخ آن گذشته بود (۲۵).

(۲۶) و شدت آسیب به حدی بود که ورزشکار را به مدت زمان حداقل ۲ ماه (۲۷)، از فعالیت ورزشی و تمرینی باز دارد و بقیه آزمودنی‌ها آسیب دیدگی عضلانی-اسکلتی شدیدی که مانع فعالیت ورزشی شود را نداشته باشند. به منظور در نظر گرفتن برخی از شرایط روانی آزمودنی‌ها در زمان پر کردن پرسش‌نامه از آزمودنی‌ها خواسته می‌شد که پرسش‌نامه‌ها را در شرایطی که خسته و بی‌حوصله نیستند پر کنند با این حال سایر شرایط روانی از جمله حالت خلقی افراد به طور کامل سنجیده نشد.

در این پژوهش مشارکت افراد کاملاً اختیاری بود و در هر زمانی آن‌ها برای انصراف از تکمیل پرسش‌نامه‌ها آزاد بودند. در پرسش‌نامه از آوردن گزینه نام افراد خودداری شد و همچنین به پاسخ‌دهندگان این اطمینان داده شد که پاسخ‌های آن‌ها به صورت محرمانه خواهد ماند و فقط در راستای اهداف پژوهشی از آن‌ها استفاده خواهد شد تا آزمودنی‌ها دقیق‌ترین پاسخ‌ها را انتخاب نمایند. به منظور جلوگیری از سوگیری مطلوبیت اجتماعی یا جامعه‌پسندی در بین پاسخ‌دهندگان، به آن‌ها اطلاع داده شد که نتایج پژوهش تأثیری در گزینش و انتخاب آن‌ها در رشته‌های ورزشی مربوطه ندارد و هیچ پاسخ درست یا غلطی از پیش برای سؤالات پرسش‌نامه فرض نشده است.

روش‌های تجزیه و تحلیل داده‌ها: روش‌های آماری به کاررفته در این پژوهش شامل روش‌های آمار توصیفی و آمار استنباطی بود. از آمار توصیفی در مواردی از جمله محاسبه میانگین، انحراف معیار، تعداد و درصد آزمودنی‌ها در هر یک از سطوح مهارتی و محاسبه نسبت آزمودنی‌ها در دو جنس و در آخر تعیین تعداد و درصد آزمودنی‌های شرکت‌کننده از هر رشته ورزشی استفاده شد. همچنین به منظور تجزیه و تحلیل داده‌ها از شاخص آلفای کرونباخ برای تعیین همسانی (ثبات) درونی و از ضریب همبستگی درون طبقه‌ای برای محاسبه پایایی زمانی سؤالات در آزمون-آزمون مجدد استفاده شد. در تعیین روایی سازه از روش تحلیل عاملی اکتشافی و تأییدی استفاده شد. از شاخص‌های نیکویی برازش، برای تأیید الگوی تحلیل عاملی (اعتبار سازه عاملی) مقیاس استفاده شد. تجزیه و تحلیل داده‌ها با استفاده از نرم‌افزارهای آماری اس. پی. اس. اس. ۲۳ و لیزرل انجام شد. معناداری برای تمام فرضیه‌ها کوچک‌تر از ۰/۰۱ در نظر گرفته شد. به منظور بررسی روایی هم‌زمان پرسش‌نامه ترس-اجتناب کلیه شرکت‌کنندگان در پژوهش پرسش‌نامه‌های ترس-اجتناب ورزشی، فاجعه‌آمیزی درد، ترس از حرکت تمپا، اضطراب آسیب ورزشی را پر کردند.

ملاحظات اخلاقی

در پژوهش حاضر از تمامی شرکت‌کنندگان پیش از انجام آزمون رضایت آگاهانه بدون هرگونه فشار یا اجبار با توجه به توضیحات مربوط به آزمودنی‌ها گرفته شد. بعد از ارائه اطلاعات لازم به افراد آنها به صورت داوطلبانه در این پژوهش شرکت کردند. اطلاعات به صورت کاملاً محرمانه و تنها در دسترس پژوهشگر بود. به علاوه پس از اتمام سنجش به تمام سؤالات شرکت‌کنندگان در رابطه با پژوهش به طور کامل پاسخ داده شد. به منظور رعایت و اجرای مداخلات اخلاقی در این پژوهش، کمیته اخلاق در پژوهش زیستی دانشگاه شهید بهشتی به شماره **IR.SBU.REC.1400.034** به تاریخ ۱۳۹۹/۱۲/۲۳ مصوب نموده است.

یافته‌ها

باتوجه به جدول ۱ در مجموع ۱۲۰ ورزشکار پرسش‌نامه مورد نظر را تکمیل کردند. ورزشکاران در سطح باشگاهی بیشترین تعداد را در دو جنس به خود اختصاص داده‌اند و ورزشکاران مرد نسبت به ورزشکاران زن تعداد کمتری بودند.

جدول ۱. ویژگی‌های جمعیت‌شناسی شرکت‌کنندگان (ورزشکاران)

کل	رده ورزشی						سابقه آسیب		شاخص شرکت‌کنندگان		
	غیره	باشگاهی	المیاد دانشجویی	لیگ	ملی	بین‌المللی	خیر	بله	تعداد	زن	جنسیت
۷۶	۳	۳۸	۸	۲۰	۲	۵	۳۱	۴۵	تعداد		
۶۳/۳	۳/۹	۵۰	۱۰/۵	۲۶/۳	۲/۶	۶/۶	۴۰/۸	۵۹/۲	درصد	زن	
۴۴	۵	۱۵	۵	۱۱	۳	۵	۱۲	۳۲	تعداد	مرد	
۳۶/۷	۱۱/۴	۳۴/۱	۱۱/۴۴	۲۵	۶/۸	۱۱/۴	۲۷/۳	۷۲/۷	درصد		

روایی سازه

به منظور بررسی و تأیید روایی سازه این پرسش‌نامه در جامعه ایرانی، تحلیل عاملی تأییدی^۱ مبتنی بر مدل معادلات ساختاری مورد استفاده قرار گرفت. باتوجه به این مسئله که توافق عمومی و کلی بین متخصصین مدلیابی معادلات ساختاری وجود ندارد درباره این که کدام یک شاخص‌های برازندگی^۲ برآورد مناسب‌تری از مدل فراهم می‌کند ترکیبی از سه تا چهار شاخص پیشنهاد می‌شود تا مورد گزارش قرار گیرد (۱۴، ۲۸). همچنین شاخص‌های برازش در سه طبقه (مطلق^۳، تطبیقی^۴ و مقتصد^۵) قرار می‌گیرند، هرکدام از این طبقات اطلاعات متفاوتی را فراهم می‌کند که استفاده از یک شاخص از هر طبقه پیشنهاد می‌شود (۲۹).

در این پژوهش شاخص‌های نسبت‌خیزی دو به درجه آزادی^۶ و شاخص میانگین مجذور برآورد تقریب از بین شاخص‌های برازندگی مطلق، شاخص تاکر-لوییس^۷ یا همان شاخص برازندگی بنتلر بونت^۸ و همچنین شاخص برازندگی تطبیقی از بین شاخص‌های برازندگی تطبیقی یا مقایسه‌ای و شاخص نیکویی برازش مقتصد از بین شاخص‌های برازندگی مقتصد مورد استفاده قرار گرفت. برای شاخص‌های برازندگی، ملاک‌های برش متفاوتی توسط متخصصان مطرح شده است که برای شاخص‌های تی. ال. آی^۹ و سی اف آی^{۱۰} که دامنه تغییرات آنها بین صفر و یک

1 Confirmatory factor analysis (CFA)

2 Modification indices

3 Absolute fit index

4 Comparative Fit Index

5 Adjusted fit index

6 Chi-squared/degrees of freedom

7 Tucker-Lewis index (TLI)

8 Bentler-Bonett Index

9 TLI(Tucker-Lewis index)

10 CFI (comparative fit index)

است مقادیر بالای ۰/۸۵ نشان‌دهنده برازندگی نسبی مدل (۳۰)، مقادیر بالای ۰/۹۰ نشان‌دهنده برازندگی خوب و مقادیر بالای ۰/۹۵ نشان‌دهنده برازندگی خیلی خوب است و در شاخص‌های ای جی اف آی^۱ و پی جی اف آی^۲ مقادیر بالای ۰/۵۰ قابل قبول است (۲۸). برای شاخص رمزی مقادیر کمتر از ۰/۰۸ قابل قبول است و مقادیر کمتر از ۰/۰۶ نشان‌دهنده یک مدل مناسب است (۲۸). در مورد مقادیر قابل قبول نسبت خبی دو به درجه آزادی توافق عمومی وجود ندارد، اما برخی محققان مقادیر ۲ تا ۵ را نشان‌دهنده مناسب بودن مدل می‌دانند (۱۵) و برخی دیگر مقادیر کمتر از ۳ را قابل قبول می‌دانند (۱۴).

جدول شماره ۲. شاخص‌های برازش تحلیل عاملی تأییدی مدل تک عاملی نسخه فارسی پرسش‌نامه اجتناب- ترس ورزشکاران

شاخص‌های برازش	X2/DF	CFI	TLI	PGFI	AGFI	RMSEA
مقدار مشاهده شده	۱/۹۰	۰/۹۳	۰/۹۵	۰/۵۸	۰/۸۵	۰/۰۸

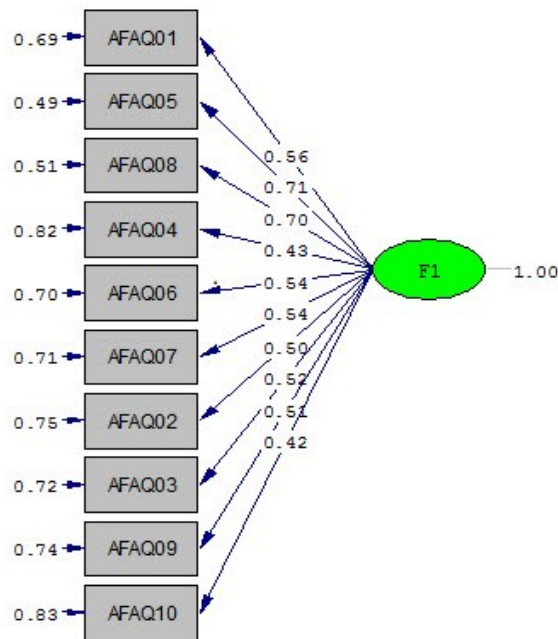
همان‌طور که در جدول شماره ۲ مشاهده می‌شود تمامی شاخص‌های برازش نشانگر شاخص‌های برازندگی و برازش نسبتاً ضعیف مدل اندازه‌گیری است. نتایج تحلیل عاملی مرتبه اول که در شکل ۱ نشان داده شده است بیانگر آن است که مدل اندازه‌گیری از برازش ضعیف و در حد متوسط برخوردار بوده و اعداد و پارامترهای مدل بویزه شاخص رمزی در برازش مدل بسیار ضعیف است. در ادامه برای تحلیل دوباره ساختار عاملی پرسش‌نامه از تحلیل عاملی اکتشافی^۳ استفاده شد.

اولین مرحله در اجرای تحلیل عاملی اکتشافی بررسی و اجرای آزمون‌های بارتلت^۴ و ضریب کیسر-مییر-الکین^۵ است، بدین صورت که اگر آزمون‌های مذکور به ترتیب، معنادار و غیرمعنادار باشد، شروط لازم برای کفایت نمونه و اجرای تحلیل عاملی برقرار است. نتایج آزمون کرویت بارتلت معنادار و حاکی از رد فرض کرویت بود ($p < ۰/۰۰۱$). اندازه کفایت نمونه‌برداری یا همان ضریب کیسر-مییر-الکین ۰/۷۱ بود. این نتایج نشان می‌دهد که ماتریس همبستگی^۶ داده‌ها در جامعه صفر نیست و بنابراین داده‌ها برای اجرای تحلیل عاملی متناسب هستند. برای تعیین این مطلب که ابزار سنجش مورد بررسی (مجموعه پرسش‌ها) از چند عامل اشباع شده، سه شاخص مورد توجه قرار گرفت: ارزش ویژه؛ ۲- نسبت واریانس تبیین شده توسط هر عامل؛ ۳- نمودار چرخش یافته ارزش‌های ویژه یا اسکری^۷.

برای استخراج عامل‌های مناسب و هماهنگ با ساختار فرهنگی و اجتماعی گروه نمونه، چندین بار، تحلیل عاملی با راه‌حل‌های گوناگون شامل راه‌حل‌های ۲ و ۳ عاملی اجرا شد. در نهایت مشخص شد که راه‌حل ۳ عاملی از کفایت

1 Adjusted goodness of fit index (AGFI)
 2 Parsimony goodness of fit index (PGFI)
 3. EXPLORATORY FACTOR ANALYSIS (EFA)
 4. Bartlett
 5. KMO (Kaiser-Meyer-Olkin)
 6. Correlation matrix
 7. Scree

مناسبی برخوردار است و این راه حل به کار برده شد. نتایج نشان داد که ارزش های ویژه سه عامل بزرگ تر از یک است و درصد پوشش واریانس مشترک بین متغیرها برای این سه عامل در مجموع ۵۸/۱۰ درصد کل واریانس متغیرها را تبیین می کند (جدول ۳).



Chi-Square=61.72, df=35, P-value=0.00351, RMSEA=0.080

شکل ۱. مدل تخمین استاندارد نسخه فارسی پرسش نامه ترس-اجتناب ورزشکاران

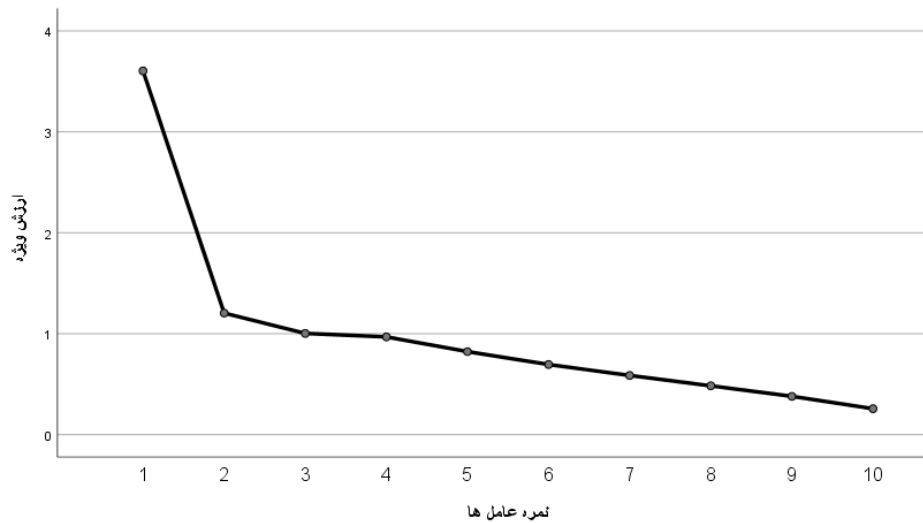
از نمودار اسکری^۱ که در شکل ۱ دیده می شود، می توان فهمید که سهم عامل یکم و دوم در واریانس کل متغیرها چشمگیر و با بقیه عامل ها متفاوت است. افزون بر این، از عامل دوم به بعد نیز شیب نمودار برش یافته و تقریباً هموار می شود.

جدول ۳. مقادیر ارزش ویژه، درصد واریانس و درصد واریانس تراکمی عوامل سه گانه

عامل	ارزش ویژه اولیه		ارزش ویژه بعد از چرخش		عامل
	درصد واریانس	درصد تراکمی	ارزش ویژه	درصد واریانس	
۱	۳۶/۰۳	۳۶/۰۳	۲/۰۲	۲۰/۲۷	۱
۲	۱۲/۰۴۱	۴۸/۰۷	۱/۹۵	۳۹/۷۷	۲
۳	۱/۰۰۳	۵۸/۱۰	۱/۸۳	۵۸/۱۰	۳

1. Scree Plot

نتیجه محاسبه میزان اشتراک هر پرسش نیز نشان داد که کمترین میزان اشتراک برابر با $0/56$ و متعلق به پرسش ۶ (تا وقتی که 100% خوب نشوم، برای بازگشت به بازی راحت نیستم)، بیشترین میزان اشتراک برابر با $0/76$ و متعلق به پرسش ۵ (معتقدم که مصدومیت فعلی منم، توانایی های ورزشی آتی مرا به خطر انداخته است) و همچنین میزان



اشتراک همه پرسش ها بالاتر از $0/6$ است.

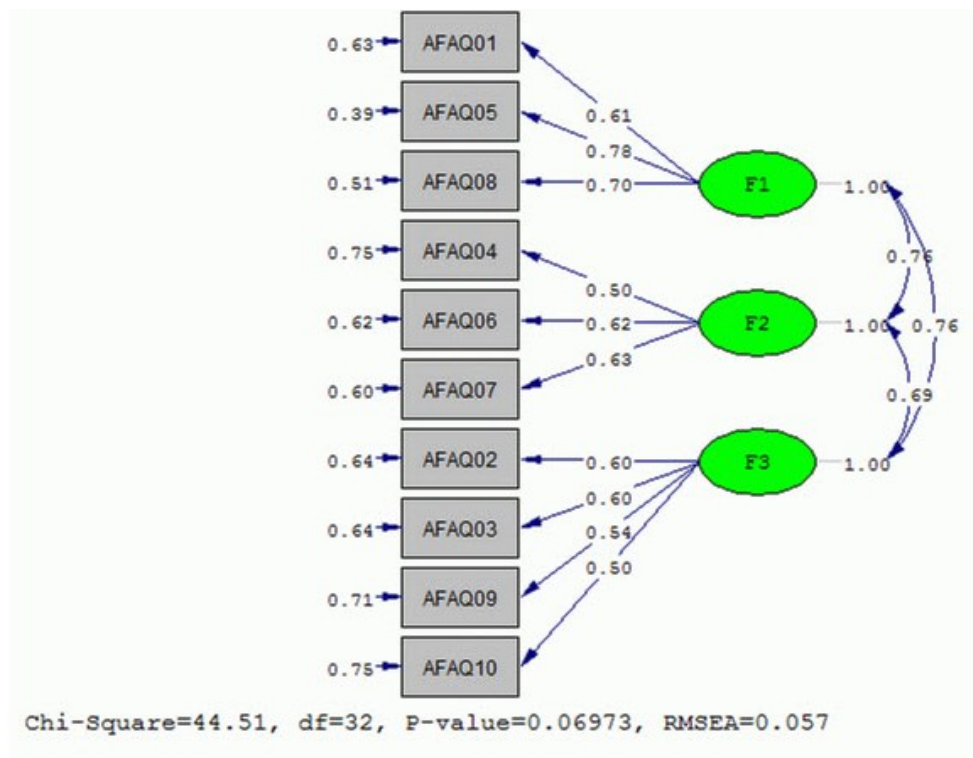
شکل ۲. نمودار اسکری عامل های پرسش نامه ترس-اجتناب ورزشکاران

برای ساده سازی استخراج عامل ها و نام گذاری آن ها لازم بود تا مؤلفه های اصلی تعیین شده به همراه چرخش واریماکس مورد بررسی قرار گیرد تا مشخص شود هر کدام از عامل ها با چه سؤالاتی بیشتر بارگذاری دارد تا به عنوان زیرمجموعه آن انتخاب شود. نتایج حاصل از چرخش در جدول ۴ نمایش داده شده است. این نتایج نشان می دهد، زیرمجموعه سازه ۱ عبارت اند از سؤالات: ۱، ۵، ۸ و زیرمجموعه سازه ۲ عبارت اند از سؤالات: ۴، ۶، ۷ و در نهایت زیرمجموعه سازه ۳ عبارت اند از سؤالات: ۲، ۳، ۹، ۱۰.

جدول ۴. ماتریس ساختار سه عاملی پرسش نامه ۱۰ سوالی ترس اجتناب ورزشکاران (بار عاملی سؤال‌ها پس از چرخش)

ردیف	پرسش	عامل اول (فاجعه آمیزی)	عامل دوم (ترس از حرکت)	عامل سوم (باورهای ترس - اجتناب)
۱	۱	۰/۶۳		
۲	۵	۰/۷۶		
۳	۸	۰/۶۸		
۴	۴		۰/۷۷	
۵	۶		۰/۵۶	
۶	۷		۰/۷۲	
۷	۲			۰/۶۳
۸	۳			۰/۷۳
۹	۹			۰/۵۴
۱۰	۱۰			۰/۶۳

برای تأیید عامل‌های استخراج شده از پرسش نامه ترس - اجتناب ورزشکاران، مدل تحلیل عاملی تأییدی اجرا شد. نمودار اندازه گیری لیزرل برای مدل سه عاملی در شکل شماره نشان داده شده است.



شکل شماره ۳. مسیر برای تحلیل عاملی تأییدی سه عاملی پرسش نامه ترس - اجتناب

جدول شماره ۵. شاخص‌های برازش تحلیل عاملی تأییدی مدل سه عاملی نسخه فارسی پرسش‌نامه اجتناب- ترس ورزشکاران

شاخص‌های برازش	X2/DF	CFI	TLI	PGFI	AGFI	RMSEA
مقدار مشاهده شده	۱/۳۹	۰/۹۶	۰/۹۴	۰/۵۴	۰/۸۸	۰/۰۵

در این پژوهش شاخص‌های نسبت خلی دو به درجه آزادی و شاخص میانگین مجذور برآورد تقریب از بین شاخص‌های برازندگی مطلق، شاخص تاکر- لوییس یا همان شاخص برازندگی بنتلر بونت و همچنین شاخص برازندگی تطبیقی از بین شاخص‌های برازندگی تطبیقی یا مقایسه‌ای و شاخص نیکویی برازش مقتصد از بین شاخص‌های برازندگی مقتصد مورد استفاده قرار گرفت. برای شاخص‌های برازندگی، ملاک‌های برش متفاوتی توسط متخصصان مطرح شده است که برای شاخص‌های تی. ال. آی و سی اف آی که دامنه تغییرات آن‌ها بین صفر و یک است مقادیر بالای ۰/۸۵ نشان‌دهنده برازندگی نسبی مدل (۳۰)، مقادیر بالای ۰/۹۰ نشان‌دهنده برازندگی خوب و مقادیر بالای ۰/۹۵ نشان‌دهنده برازندگی خیلی خوب است و در شاخص‌های آی جی اف آی و پی جی اف آی مقادیر بالای ۰/۵۰ قابل قبول است (۲۸). برای شاخص رمزی مقادیر کمتر از ۰/۰۸ قابل قبول است و مقادیر کمتر از ۰/۰۶ نشان‌دهنده یک مدل مناسب است (۲۸). در مورد مقادیر قابل قبول نسبت خلی دو به درجه آزادی توافق عمومی وجود ندارد، اما برخی محققان مقادیر ۲ تا ۵ را نشان‌دهنده مناسب بودن مدل می‌دانند (۱۵) و برخی دیگر مقادیر کمتر از ۳ را قابل قبول می‌دانند (۱۴)؛ بنابراین باتوجه به اطلاعات جدول ۴ برازندگی مدل سه عاملی با داده‌ها بسیار خوب و قابل قبول است.

ثبات (همسانی) درونی

به منظور ارزیابی همسانی درونی^۱ پرسش‌نامه از ضریب آلفای کرونباخ^۲ استفاده شد. همسانی درونی کل پرسش‌نامه ۰/۸۰ به دست آمد که مقادیر همسانی درونی خرده مقیاس‌های پرسش‌نامه خوب است ($\geq \alpha \cdot 0.70$). بنابراین همسانی درونی این پرسش‌نامه در حد مطلوب و خوبی قرار دارد.

جدول شماره ۶. نتایج ضریب آلفای کرونباخ برای تعیین همسانی درونی خرده مقیاس‌های پرسش‌نامه ترس-اجتناب ورزشکاران

خرده مقیاس‌ها	تعداد سؤالات	ضریب آلفا
فاجعه‌آمیزی	۳	۰/۷۳
ترس از حرکت	۳	۰/۷۵
باورهای ترس-اجتناب	۴	۰/۸۱
کل پرسش‌نامه	۱۰	۰/۸۰

1. Internal consistency
2. Cronbach's alpha

روایی هم‌زمان^۱

به منظور بررسی روایی هم‌زمان، همبستگی پرسش‌نامه ترس-اجتناب ورزشکاران با مقیاس فاجعه‌آمیزی نسبت به درد، ترس از حرکت تمپا، اضطراب آسیب ورزشی بررسی شد. همان‌طور که مشاهده می‌شود (جدول ۵) تمامی ضریب همبستگی‌ها با اطمینان ۹۹ درصد معنادار است ($P < 0/01$)، یعنی پرسش‌نامه ترس-اجتناب ورزشکاران از روایی هم‌زمان مطلوبی برخوردار است.

جدول ۵. نتایج ضریب همبستگی پیرسون پرسش‌نامه ترس اجتناب ورزشکاران با مقیاس فاجعه‌آمیزی درد، ترس از حرکت تمپا و اضطراب آسیب ورزشی

P-value	r- value	همبستگی بین نمرات کل پرسش‌نامه‌ها
۰/۰۰۱	۰/۴۰	ترس اجتناب- فاجعه‌آمیزی درد
۰/۰۰۱	۰/۴۳	ترس اجتناب- ترس از حرکت تمپا
۰/۰۰۱	۰/۴۱	ترس اجتناب- اضطراب آسیب ورزشی

پایایی زمانی

از ضریب همبستگی درون طبقه‌ای (ای. سی. سی) ^۲ برای بررسی پایایی زمانی استفاده شد که ضریب همبستگی طی دو بار آزمون به فاصله دو هفته بر روی ۳۰ ورزشکار زن و مرد محاسبه شد. با توجه به جدول شماره ۵ مقدار ضریب همبستگی درون طبقه‌ای تمامی عامل‌ها بالاتر از ۰/۷۰ به دست آمد که نشان‌دهنده قابل قبول بودن پایایی زمانی یا قابلیت تکرارپذیری نتایج این مقیاس‌ها است.

بحث و نتیجه‌گیری

هدف پژوهش حاضر بررسی ویژگی‌های روان‌سنجی یک ابزار به منظور اندازه‌گیری اجتناب- ترس ورزشکاران بود. به این ترتیب این پژوهش به جهت بررسی روایی سازه و هم‌زمان و پایایی نسخه فارسی پرسش‌نامه اجتناب- ترس ورزشکاران با استفاده از تحلیل عاملی تأییدی در جامعه ورزشکاران ایرانی صورت گرفت. نتایج تحلیل عاملی تأییدی نشان داد که مدل تک عاملی پرسش‌نامه اجتناب- ترس ورزشکاران از برازندگی ضعیفی برخوردار است؛ زیرا شاخص سی اف ای ۰/۹۳ و شاخص تی. ال. آی ۰/۹۵ به دست آمد که بالاتر از ملاک قابل قبول ۰/۹۰ بود و نیز شاخص رمزی ۰/۰۸ که نمره ضعیف است و نسبت خوبی دو به درجه آزادی ۱/۹ به دست آمد که حاکی از وضعیت نسبتاً ضعیف مدل بود. به همین دلیل بعد از انجام تحلیل عاملی اکتشافی و مشخص شدن سه عامل در این پرسش‌نامه‌ها، مدل تحلیل عاملی تأییدی نیز برازش مناسب داده‌ها با این مدل را نشان داد؛ به طوری که شاخص سی اف ای ۰/۹۶ و شاخص تی. ال. آی

1. Concurrent validity
2. Intraclass Correlation Coefficient (ICC)

۰/۹۴ به دست آمد که بالاتر از ملاک قابل قبول ۰/۹۰ بود و نیز شاخص رمزی ۰/۰۵ (مقادیر کمتر از ۰/۰۶ نشان دهنده یک مدل مناسب است) و نسبت خی دو به درجه آزادی ۱/۳۹ به دست آمد. همسانی (ثبات) درونی پرسش نامه نیز مورد تأیید قرار گرفت. براین اساس نسخه فارسی پرسش نامه اجتناب- ترس ورزشکاران ۳ عاملی و دربردارنده ۱۰ سؤال و سه سازه فاجعه آمیزی (گویه های ۱، ۵، ۸)، ترس از حرکت (۴، ۶، ۷) و باورهای ترس- اجتناب (گویه های ۲، ۳، ۹، ۱۰) در جامعه ورزشکاران ایرانی تأیید شد.

نتیجه تحلیل عاملی اکتشافی حاضر در این پژوهش بر خلاف مدلی اکتشافی بود که توسط ریس جونیر و همکاران (۲۰۲۲) در بین پرتغالی برزیلی به دست آمد. آنها مدل تک عاملی را در پرسش نامه ترس- اجتناب ورزشی به دست آوردند. بر خلاف مطالعه حاضر آنها ورزشکاران حرفه ای یا تفریحی که آسیب دیده بودند و در ۷ روز گذشته تا زمان پژوهش تمرین و ورزش نکرده بودند را انتخاب کرده بودند (۳۱).

در پژوهش داور و همکاران (۲۰۱۵) (۱۶) و مطالعه مونتیگو و همکاران (۲۰۲۱) نیز مدل تک عاملی تأیید شد. در مطالعه داور نیز ۲۳ ورزشکار آسیب دیده و ۸۰ نفر نیز ورزشکارانی بودند که در حین مطالعه آسیب نداشتند اما همگی سابقه آسیب داشتند. شاید یکی از دلایل احتمالی به دست آمدن مدل سه عاملی دی پژوهش حاضر گروه نمونه متفاوت بودند به طوریکه در این پژوهش همه ورزشکاران شرکت کننده در حین انجام پژوهش آسیب ورزشی نداشتند و فقط ۷۷ نفر از آنها سابقه قبلی آسیب ورزشی داشتند.

آلفای کرونباخ ۰.۸۰ در این مطالعه نیز سطح قابل قبولی را در مقایسه های گروهی نشان داد، که مشابه همین مقدار در مطالعه داور و همکاران ۲۰۱۵ (۰.۸) و مطالعه بررسی روایی پرسش نامه ترس- اجتناب در بین دانشجویانی ایتالیایی (۰.۷۸) توسط مونتیگو و همکاران (۲۰۲۱) بود (۳۲) در حالیکه در مطالعه ای که در زنان پاکستانی انجام شده بود میزان آلفا (۰.۹۰) کمی بالاتر بود (۳۲) میزان آلفا در دانشجویان پرتغالی برزیلی نیز ۰.۹۰ بود (۳۱).

مقدار آلفای کرونباخ در این پژوهش بیانگر همسانی دورنی خوب بین گویه هاست. به این معنی که این گویه ها بیشترین ارتباط را با هدف مورد بررسی یعنی ترس- اجتناب ورزشی داشتند.

هم راستا با مدل شناختی- رفتاری ترس- اجتناب، امتیازات پرسش نامه اجتناب ترس با مقیاس سازه های مشابه مثل ترس از حرکت ۴ = ۴۱ و فاجعه آمیزی درد ۴ = ۴۱ و اضطراب آسیب ورزشی ۴ = ۴۳ همبستگی داشت. این نتایج روایی سازه این مقیاس را تأیید می کند و نشان می دهد که ورزشکارانی که بعد از یک آسیب اسکلتی عضلانی به شکل ناسازگاری در مورد آن فکر می کنند یا اضطراب و ترس زیادی در مورد آسیب مجدد داشته باشند معمولاً این تفکر و اضطراب ناسازگار را به سایر موقعیت های چالش زای زندگی خود نیز تعمیم می دهند، همان طوری که در مطالعات قبلی نیز نشان داده شده است (۳۳، ۳۴)

اما باید توجه داشت که ویژگی منحصربه فرد پرسش نامه ترس- اجتناب ورزشی این است که به گونه ای طراحی شده است که بیشتر بر محتوای ورزشی- ویژه آن تأکید شده است، بنابراین نباید انتظار همپوشانی زیاد و رابطه همبستگی بسیار قوی با سایر آیتم های عمومی تر تفکر فاجعه آمیز و اضطراب آسیب ورزشی و ترس از حرکت داشت. مقدار این

همبستگی بین پرسش‌نامه ترس-اجتناب و مقیاس فاجعه‌آمیزی درد در پژوهش حاضر حدود ۰.۴ بود که کمی کمتر از این مقدار این رابطه در مطالعه داور و همکاران (۲۰۱۵) یعنی ۰.۵۸ بود. شاید دلیل آن وجود ورزشکاران با آسیب فعلی در مطالعه آنها بود، درحالی‌که ورزشکاران پژوهش حاضر هیچ‌کدام آسیب حاد ورزشی نداشتند. این نتایج هم‌راستا با مطالعات قبلی (۵، ۱۶، ۳۵) بودند که نشان دادند که پرسش‌نامه ترس-اجتناب ورزشی نیز مشابه با سایر مقیاس‌های تفرک فاجعه‌آمیز، این سازه را اندازه‌گیری می‌کنند.

از محدودیت‌های پژوهش حاضر می‌توان به برخی از موارد اشاره کرد. گروه نمونه پژوهش حاضر کلیه ورزشکاران با سابقه و بدون سابقه آسیب اسکلتی عضلانی در دو جنسیت مرد و زن می‌شد. در پژوهش‌های بعدی پیشنهاد می‌شود که گروه نمونه با در نظر گرفتن عامل جنسیت و سابقه آسیب ورزشی به شکل ویژه‌تر انتخاب شود. علاوه بر این با توجه به ماهیت متفاوت درد و آسیب حاد پیشنهاد می‌شود این پرسش‌نامه بر روی ورزشکارانی که به‌تازگی دچار آسیب ورزشی حاد و شدید شده‌اند نیز بررسی شود.

پیام مقاله

پرسش‌نامه ترس-اجتناب ورزشی یک ساختار سه‌عاملی را نشان داد که ویژگی‌های روان‌سنجی مناسبی بر حسب مقدار روایی و اعتبار سازه و همسانی درونی داراست. ادبیات و شواهد موجود می‌توانند محققان بعدی را در استفاده از این ابزار در شرایط کلینیکی و پژوهشی اطمینان داشته باشند به‌طوری‌که بر اساس نمره‌های این پرسش‌نامه بتوانند پیش‌بینی بهتری در مورد و مدت دوره توان‌بخشی ورزشکاران همراه با آسیب‌های اسکلتی-عضلانی داشته باشند.

References

1. Evans L, Brewer BW. Applied psychology of sport injury: Getting to—and moving across—The Valley of death. *Journal of Applied Sport Psychology*. 2022;34(5):1011-28. <https://doi.org/10.1080/10413200.2021.2015480>.
2. Cassidy Rex C, Metzler JN. Development of the Sport Injury Anxiety Scale. *Measurement in Physical Education and Exercise Science*. 2016;20(3):146-58. <https://doi.org/10.1080/1091367X.2016.1188818>.
3. Gorji SM, Mohammadi Nia Samakosh H, Watt P, Henrique Marchetti P, Oliveira R. Pain Neuroscience Education and Motor Control Exercises versus Core Stability Exercises on Pain, Disability, and Balance in Women with Chronic Low Back Pain. *International Journal of Environmental Research and Public Health*. 2022;19(5):2694. <https://doi.org/10.3390/ijerph19052694>.
4. Kvist J, Ek A, Sporrstedt K, Good L. Fear of re-injury: a hindrance for returning to sports after anterior cruciate ligament reconstruction. *Knee Surg Sports Traumatol Arthrosc*. 2005;13(5):393-7. <https://doi.org/10.1007/s00167-004-0591-8>.
5. Vlaeyen JW, Linton SJ. Fear-avoidance and its consequences in chronic musculoskeletal pain: a state of the art. *Pain*. 2000;85(3):317-32. [https://doi.org/10.1016/S0304-3959\(99\)00242-0](https://doi.org/10.1016/S0304-3959(99)00242-0).
6. Vlaeyen JW, Linton SJ. Fear-avoidance model of chronic musculoskeletal pain: 12 years on. *Pain*. 2012;153 1147(6). <https://doi.org/10.1016/j.pain.2011.12.009>.
7. Lethem J, Slade PD, Troup JD, Bentley G. Outline of a Fear-Avoidance Model of exaggerated pain perception--I. *Behav Res Ther*. 1983;21(4):401-8. [https://doi.org/10.1016/0005-7967\(83\)90009-8](https://doi.org/10.1016/0005-7967(83)90009-8).
8. Sullivan MJ, Tripp DA, Rodgers WM, Stanish W. Catastrophizing and pain perception in sport participants. *Journal of Applied Sport Psychology*. 2000;12(2):151-67. <https://doi.org/10.1080/10413200008404220>.

9. Podlog L, Dimmock J, Miller J. A review of return to sport concerns following injury rehabilitation: practitioner strategies for enhancing recovery outcomes. *Phys Ther Sport*. 2011;12(1):36-42. <https://doi.org/10.1016/j.pts.2010.07.005>.
10. Arvinen-Barrow M, Massey WV, Hemmings B. Role of Sport Medicine Professionals in Addressing Psychosocial Aspects of Sport-Injury Rehabilitation: Professional Athletes' Views. *Journal of Athletic Training*. 2013;49(6):764-72. <https://doi.org/10.4085/1062-6050-49.3.44>.
11. Hambleton R, Sireci S, Robin F. Adapting credentialing exams for use in multiple languages. *CLEAR Exam Review*. 1999;10(2):24-8. <https://doi.org/10.1108/13522750310495328>.
12. Tenenbaum G, Kamata A, Hayashi K. Measurement in sport and exercise psychology: A new outlook on selected issues of reliability and validity. *Handbook of sport psychology*. 2007:757- 73 . <https://doi.org/10.1002/9781118270011>.
13. Piermattéo A, Lo Monaco G, Reymond G, Eyraud M, Dany L. The meaning of sport and performance among amateur and professional athletes. *International Journal of Sport and Exercise Psychology*. 2020;18(4):472-84. <https://doi.org/10.1080/1612197X.2018.1536160>.
14. Kline RB. Principles and practice of structural equation modeling: Guilford publications; 2023 . <https://www.guilford.com/books/Principles-and-Practice-of-Structural-Equation-Modeling/Rex-Kline/9781462551910>
15. Terry PC, Lane AM, Fogarty GJ. Construct validity of the Profile of Mood States — Adolescents for use with adults. *Psychology of Sport and Exercise*. 2003;4(2):125-39. [https://doi.org/10.1016/S1469-0292\(01\)00035-8](https://doi.org/10.1016/S1469-0292(01)00035-8).
16. Dover G, Amar V. Development and validation of the athlete fear avoidance questionnaire. *Journal of athletic training*. 2015;50(6):634-42. <https://doi.org/10.4085/1062-6050-49.3.75>
17. Sullivan MJ, Bishop SR, Pivik J. The pain catastrophizing scale: development and validation. *Psychological assessment*. 1995;7(4):524. <https://doi.org/10.1037/1040-3590.7.4.524>.
18. Rahmati N, Asghari Moghadam MA, SHAIRI M, Paknejad M, Rahmati Z, Ghassami m, et al. A Study of the Psychometric Properties of the Pain Catastrophizing Scale Amongst Iranian Patients with Chronic Persistent Pain. *Journal title*. 2017;25(1):63-79. <https://doi.org/10.29252/sjimu.25.1.63>.
19. Kortlever JTP, Tripathi S, Ring D, McDonald J, Smoot B, Laverty D. Tampa Scale for Kinesiophobia Short Form and Lower Extremity Specific Limitations. *Arch Bone Jt Surg*. 2020;8(5):581-8. <https://doi.org/10.22038/abjs.2020.40004.2073>.
20. French DJ, France CR, Vigneau F, French JA, Evans RT. Fear of movement/(re) injury in chronic pain: a psychometric assessment of the original English version of the Tampa scale for kinesiophobia (TSK). *Pain*. 2007;127(1-2):42-51. <https://doi.org/10.1016/j.pain.2006.07.016>.
21. Woby SR, Roach NK, Urmston M, Watson PJ. Psychometric properties of the TSK-11: a shortened version of the Tampa Scale for Kinesiophobia. *Pain*. 2005;117(1-2):137-44. <https://doi.org/10.1016/j.pain.2005.05.029>.
22. Saadat M, Salamat S, Mostafae N, Soleimani F, Rouintan Z, Amin M. To evaluate responsiveness and minimal important change (MIC) for the Persian versions of FABQ, TSK, and PCS. *European Spine Journal*. 2023;32(9):3023-9. <https://doi.org/10.1007/s00586-023-07835-w>.
23. Cassidy CM. Development of a measure of sport injury anxiety: The Sport Injury Appraisal Scale. *Journal of Sport and Exercise Psychology*. 2007;9(1):1-11. <https://doi.org/10.1080/1091367X.2016.1188818>.
24. Gahvare R, Rajabi R, Shahrbanian S, Gharayagh Zandi H, Hosseini SM. Investigation of Validity and Reliability of Revised Persian Version of Sport Injury Anxiety Scale (PSIAS). *Middle Eastern Journal of Disability Studies*. 2018;8(0):47-. <https://dor.isc.ac/dor/20.1001.1.23222840.1397.8.0.74.9>
25. Melzack R, Wall PD. *Handbook of pain management*: Elsevier; 2003. <https://doi.org/10.1093/bja/aeh541>
26. Melzack R. From the gate to the neuromatrix. *Pain*. 1999;82:S121-S6. [https://doi.org/10.1016/S0304-3959\(99\)00145-1](https://doi.org/10.1016/S0304-3959(99)00145-1).
27. Lee JW-Y, Mok K-M, Chan HC-K, Yung PS-H, Chan K-M. A prospective epidemiological study of injury incidence and injury patterns in a Hong Kong male professional football league during the competitive season. *Asia-Pacific Journal of Sports Medicine, Arthroscopy, Rehabilitation and Technology*. 2014;1(4):119-25. <https://doi.org/10.1016/j.asmart.2014.08.002>.
28. Hu Lt, Bentler PM. Cutoff criteria for fit indexes in covariance structure analysis: Conventional criteria versus new alternatives. *Structural equation modeling: a multidisciplinary journal*. 1999;6(1):1-55. <https://doi.org/10.1080/10705519909540118>

29. Creswell JW, Miller DL. Determining validity in qualitative inquiry. *Theory into practice*. 2000;39(3):124-30. https://doi.org/10.1207/s15430421tip3903_2.
30. Kelloway EK. *Using LISREL for structural equation modeling: A researcher's guide*: Sage; 1998. <https://doi.org/10.1002/job.4030160304>
31. dos Reis-Junior JR, Bassi-Dibai D, Morais DN, Pontes-Silva A, Mendes LP, Pinheiro JS, et al. Translation, cross-cultural adaptation, and validation of the Athlete Fear Avoidance Questionnaire (AFAQ) into Brazilian Portuguese. *BMC Musculoskeletal Disorders*. 2022;23(1):974. <https://doi.org/10.1186/s12891-022-05951-0>.
32. Monticone M, Dover G, Massidda M, Giordano A, Franchignoni F. Cross-cultural adaptation and validation of the Athlete Fear Avoidance Questionnaire in Italian university athletes with musculoskeletal injuries. *International Journal of Rehabilitation Research*. 2022;45(3):223-9. <https://doi.org/10.1097/MRR.0000000000000532>
33. O'Keeffe S, Chéilleachair NN, O'Connor S. Fear avoidance following musculoskeletal injury in male adolescent gaelic footballers. *Journal of sport rehabilitation*. 2019;29(4):413-9. <https://doi.org/10.1123/jsr.2018-0258>.
34. Fukano M, Mineta S, Hirose N .Fear avoidance beliefs in college athletes with a history of ankle sprain. *International journal of sports medicine*. 2020;41(02):128-33. <https://doi.org/10.1055/a-1065-1940>.
35. Fischerauer SF, Talaie-Khoei M, Bexkens R, Ring DC, Oh LS, Vranceanu A-M. What is the relationship of fear avoidance to physical function and pain intensity in injured athletes? *Clinical orthopaedics and related research*. 2018;476(4):754. <https://doi.org/10.1007/s11999-0000000000000085>.

